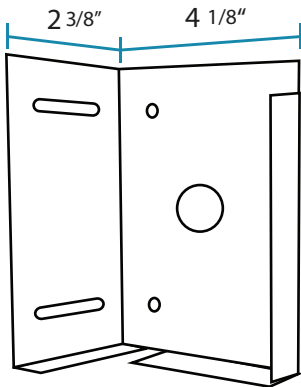
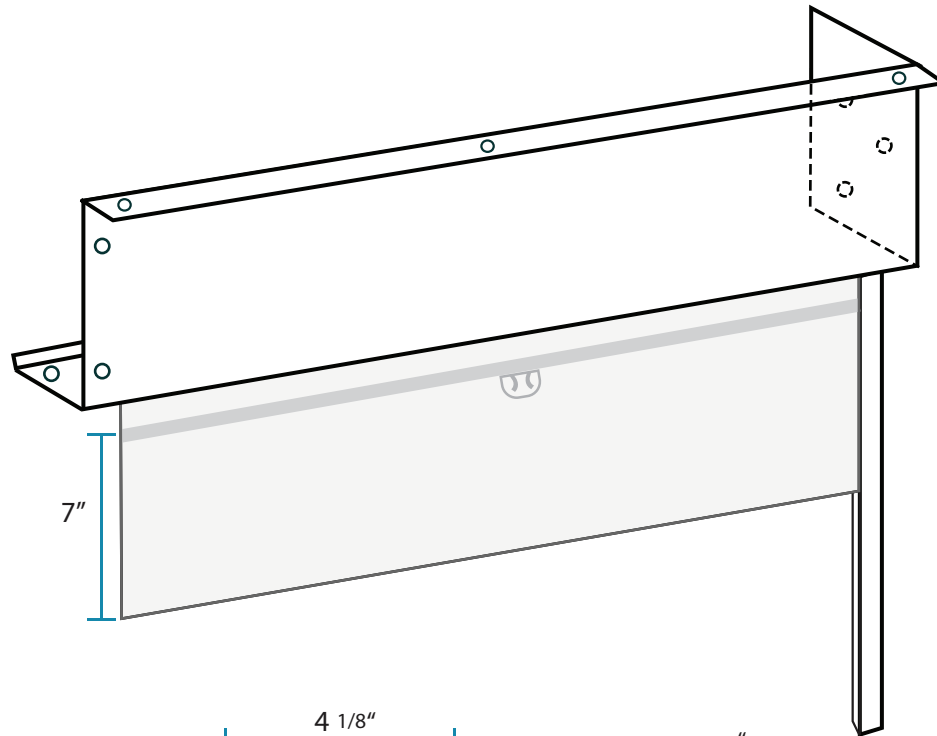
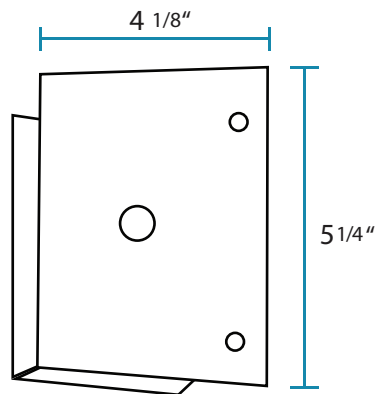


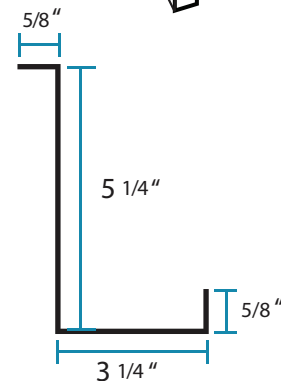
Standard Security Box - SSB



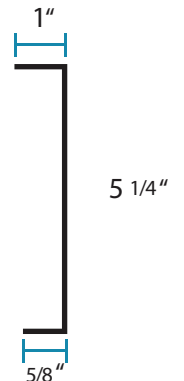
Slider Bracket Plate



Bracket Plate



Reverse Lip Security Box



Back Plate

Security Box suitable for over 5" clear depth.

Security Box to be 24 gauge galvanized steel unless specified.
Up to 60" - 24 gauge

Standard powder-coat of security box and back plate available in white, off-white, beige or bronze. Additional powder-coat colors available, charges may apply.

Industry standard 1/4" space between fabric and track required for proper operation. Privacy mullion provided upon request.



For installation information
www.youtube.com/webbshade